



## Historic Preservation Committee Meeting

August 3, 2017  
6:00pm

Greg Winters, Chair

### AGENDA \*REVISED\*

1. Call to Order
2. Approval of Minutes
3. New Business
  - a. HPC 2017-12 152 Saluda Street
  - b. HPC 2017-13 100 West End Street
4. Adjourn

# CITY OF CHESTER HISTORIC PRESERVATION APPLICATION

MEETING DATE: \_\_\_\_\_ HPC 2017-13

Application Information: Please print or type:

Name: CITY OF CHESTER Tele 581-2123

Address: 100 WEST END ST.

City/State/Zip: CHESTER, SC 29706

Location of Historic Property: 100 WEST END ST.

Zoning (CC) CORE COMER.

Tax Map # 201-11-05-001-000

**All new construction & or room additions must have a minimum of a 6:12 roof pitch**

*(New Structures and Additions must be prepared By an Architect; all other requests must be a scaled drawing detailing work to be done)*

Checklist - Attach supporting information.

Describe the proposed work. Attach drawings of proposed renovations, and provide "As is" photos of overall proposal, views, and details on site, structures.

Please answer the following:

1. On what area(s) of the structure is the work being proposed? Foundation, porches, doors, windows, roof, fence, etc.....

THE BOTTOM FLOOR (BASEMENT) BACK DOOR BEING  
RE PLACED WITH A METAL SECURITY DOOR.

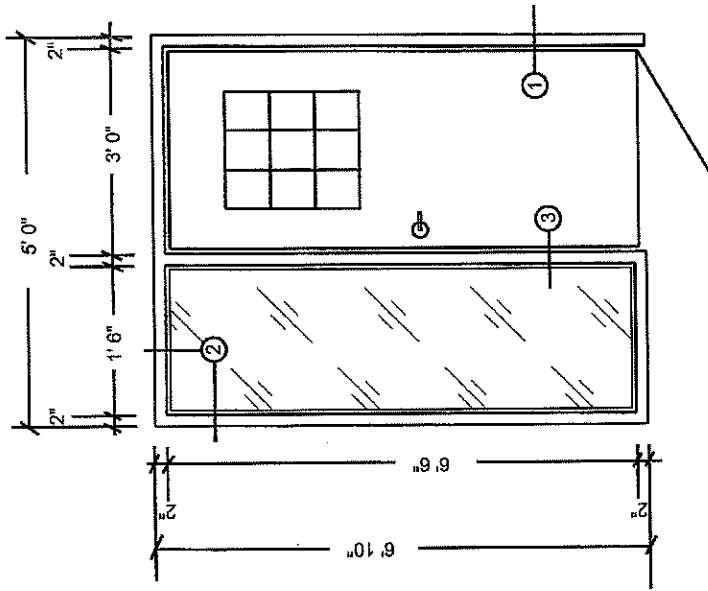
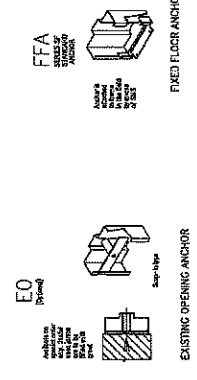
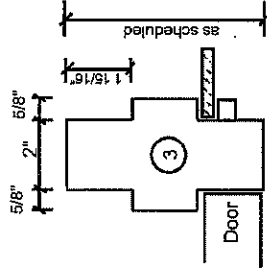
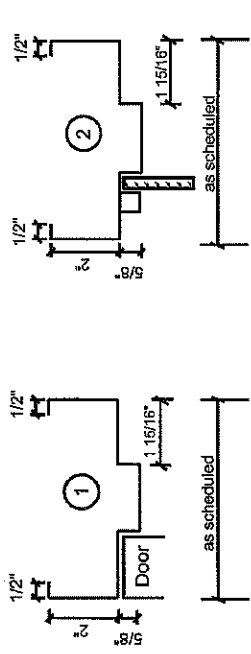
2. What is the approximate size of the area to be renovated? \_\_\_\_\_
3. List on drawings or an attached sheet:
4. The proposed modifications and type(s) of materials used on each.  
(Ex. Wood, vinyl, brick, metal, composite):

Please bring to the meeting types of material to be used.

Signature of Applicant: \_\_\_\_\_ Date: \_\_\_\_\_

Review Date \_\_\_\_\_ Approved \_\_\_\_\_ Denied \_\_\_\_\_

**CANCELATION MAY RESULT IN AN ADDITIONAL FEE OF \$40.00.  
YOU MAY HAVE SOMEONE TO REPRESENT YOU.**



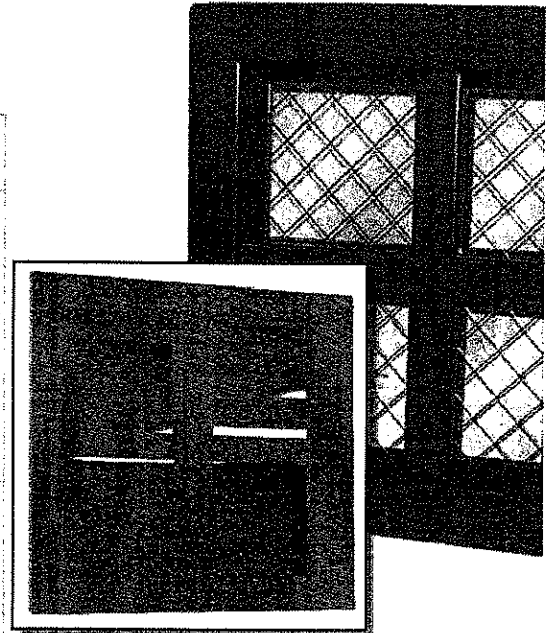
**Frame Elevation Sheet**

The Cook and Boardman Group LLC 101 Corporate Blvd. - Suite 107 West Columbia, SC 29169		Project: <b>Chester City Hall</b>	
Date: 6/19/17	Revision 1:	Revision 2:	Job Number:
Series Consultant: Brian Blystone			
Draftsman: Fraser Bradford			

Square or Beveled Vision Lite with Mullions for Added Security or the "French Door" Look

**SPECIFICATIONS:**

<b>Material:</b>	18 gauge CRS for VLF & VLFIG, 20 gauge for VLF-EZ, VLFEZIG, Slimline (VSL) and Slimline IG (VSIG).
<b>Construction:</b>	Mullions are welded to both sides of vision lite at heads, sills and jamba, and butt to glass. Only one glass lite required.
<b>Mullions:</b>	1" x 5/8" formed steel See Page V11 to view selections.
<b>Door:</b>	For 1-3/4" door. Door cutout = order size.
<b>Fasteners:</b>	See individual vision lite pages for fasteners.
<b>Glass:</b>	Use fire-rated glazing with UL or WHI classification marking for fire rated applications. See individual data pages for glazing choices.
<b>Powder Coat Finishes:</b>	<input type="checkbox"/> (B) Mineral Bronze (standard color) <input type="checkbox"/> (BK) Black <input type="checkbox"/> (FBK) Flat Black <input type="checkbox"/> (W) White <input type="checkbox"/> (SB) SC Beige <input type="checkbox"/> (SI) Silver <input type="checkbox"/> (S) Sand <input type="checkbox"/> (AB) AMS Beige <input type="checkbox"/> (R) Red <input type="checkbox"/> (GH) Gray Hammertone <input checked="" type="checkbox"/> (G) Gray <b>View Colors Online</b>
<b>Fire-Rating, Testing &amp; Listings:</b>	When installed in properly rated and approved door, ratings up to 3 hours can be achieved, depending on the glazing used. See glazing ratings for max exposed area. All models of vision lites for mullioned-vision lites are tested and listed for UL 10C and Criteria of UBC 7-2 Positive Pressure. See Individual Data Sheets.



VLFB2

VSLB2

**OPTIONS AT ADDITIONAL COST:**

<b>Mullions:</b>	<input type="checkbox"/> 1/2" x 1/2", 1/2 x 3/4", other sizes, contact Cust. Service.
<b>Finishes &amp; Materials:</b>	<input type="checkbox"/> (S) 20 Gauge Stainless Steel: #4 Finish. <input type="checkbox"/> (G) Galvanized Sheet for Exterior Applications. <input type="checkbox"/> (E) Electro Zinc Plating for Maximum Corrosion Resistance.
<b>Fasteners:</b>	<input type="checkbox"/> Torx <input type="checkbox"/> Other: _____
<b>Custom:</b>	Custom frame sizes or specials. Contact Customer Service.



Vision Frames - Mullions on Two Sides			
# Mullions (See page V11 for examples)	VSL Model	VLF Model	VLFEZ Model
1	VSLA2	VLFA2	VLFEZA2
2	VSLA3	VLFA3	VLFEZA3
2	VSLB2	VLFB2	VLFEZB2
3	VSLB3	VLFB3	VLFEZB3
4	VSLB4	VLFB4	VLFEZB4
4	VSLC3	VLFC3	VLFEZC3
3	VSLA4	VLFA4	VLFEZA4
4	VSLA5	VLFA5	VLFEZA5
5	VSLB5	VLFB5	VLFEZB5
5	VSLC4	VLFC4	VLFEZC4
6	VSLC5	VLFC5	VLFEZC5

Mullions are Constructed of 1" W x 5/8" Formed Steel. See Page V11 for Illustration.

Order Format: \_\_\_\_\_ Example: VLFB4 1836G  
 VLF, VLFIG, VSL, VSIG, VLFEZ, VLFEZIG MULLION Option S,G,E W H Color Code

Interpretation of Fire and Building Codes May Vary. Consult with the Local Authority Having Jurisdiction (AHJ) to determine appropriate standards.

 	<b>Distributor:</b> Cook and Boardman	<b>Width:</b> 23" x <b>Height:</b> 29"
	<b>Architect:</b>	<b>Quantity:</b> 1
	<b>Contractor:</b>	<b>Model:</b> VSLC3
	<b>Project:</b> Chester City Hall	<b>Date:</b> 6/19/17 <b>Version:</b> ALPDS1605
800-554-6077 QUOTES@ACTIVARCPG.COM ORDERS@ACTIVARCPG.COM SALES@ACTIVARCPG.COM FAX: 952-835-2218 VISIT <a href="http://WWW.ACTIVARCPG.COM">WWW.ACTIVARCPG.COM</a> FOR THE MOST UPDATED PRODUCT INFORMATION BEFORE ORDERING • © ACTIVAR CONSTRUCTION PRODUCTS GROUP, Inc 2015 MFG: COMMERCE CA, BLOOMINGTON, MN • WAREHOUSES: LANCASTER PA, ATLANTA GA, CHICAGO IL, SEATTLE WA, FORT MYERS FL, DALLAS TX, FARGO ND, OMAHA NE		

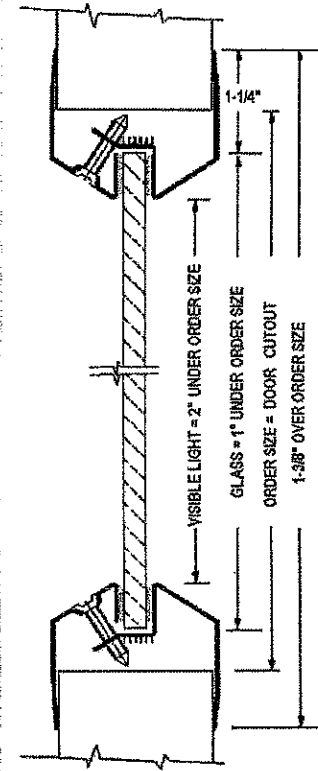
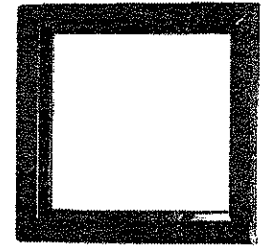
V2

**SLIMLINE™ VISION KITS FOR 3/16-1/4" GLASS: VSL, SLR, VWL - REV A**

Low Profile Beveled Vision Lite For Fire Rated Doors. Self-Attaching for Glass 3/16" to 1/4"  
 Frame Has Single-side Fasteners. Available in Round Shapes or Wood Veneer

**SPECIFICATIONS:**

<b>Material:</b>	20 gauge CRS frame. Min Size 3" x 3", Max 60" x 104". See Fire Rating Below.
<b>Construction:</b>	1-1/4" trim with radius corners, mitered and welded. Continuous glass retainer, countersunk mounting holes in the bevel on non-corridor side.
<b>Door:</b>	For 1-3/4" door. For other sizes, see models VLFIG and VLFEZIG. Door cutout = order size.
<b>Fasteners:</b>	#8 x 1" flathead phillips SMS to match finish. <u>Woodlite</u> has wood veneer plugs covering screw heads.
<b>Powder Coat Finishes:</b>	<input type="checkbox"/> (B) Mineral Bronze <input checked="" type="checkbox"/> (G) Gray (stock colors for VSL) <input type="checkbox"/> (BK) Black <input type="checkbox"/> (FBK) Flat Black <input type="checkbox"/> (W) White <input type="checkbox"/> (SB) SC Beige <input type="checkbox"/> (SI) Silver <input type="checkbox"/> (R) Red <input type="checkbox"/> (S) Sand <input type="checkbox"/> (AB) AMS Beige <input type="checkbox"/> (GH) Gray Hammerstone <a href="#">View Color Samples Online</a>
<b>Glass:</b>	3/16"- 1/4" glazing to be ordered separately from <b>Glazing Section</b> of catalog. Use fire rated glazing with Warnock Hersey (WHI) or UL classification markings for fire rated applications. Visible light is 2" under rough opening size. <u>Glass size is 1" under order size.</u> <b>Fire-Rated Air Louvers Glazing to fit this Product: WS, KFRF, PPF, VSL and SLF.</b>
<b>Fire-Rating, Testing &amp; Listings:</b>	When installed in properly rated and approved door, ratings up to 3 hours can be achieved for VSL and SLR, <b>depending on the glazing used.</b> See glazing ratings for max exposed area. Tested and Listed for UL 10C and Criteria of UBC 7-2 Positive Pressure. See detailed installation instructions.



**OPTIONS AT ADDITIONAL COST:**



<b>PAK:</b>	Includes Vision Lite, Glass Sized to Fit, Applied Glazing tape for UL10B Installations, Securely Packaged Individually. See First Page in Vision Lite Catalog to order.
<b>UBC 7-2 Installation:</b>	<input type="checkbox"/> Additional intumescent tape for Positive Pressure UL10C. See detailed installation instructions. <b>NOTE: Intumescent tape NOT needed for 20 Minute Wood doors for UL Label.</b>
<b>Finishes &amp; Materials:</b>	<input type="checkbox"/> (S) 20 Gauge Stainless Steel: #4 Finish. <input type="checkbox"/> (G) Galvanized Sheet for Exterior Applications. <input type="checkbox"/> (E) Electro Zinc Plating for Maximum Corrosion Resistance.
<b>Woodlite Wood Veneers:</b>	<input type="checkbox"/> <b>VWL .010</b> Wood Veneer to Match Wood Finish. (excludes SLR) Rated 90 mins <input type="checkbox"/> <b>Veneer Type: (WV-07)</b> Maple, <b>(WV-06)</b> White Birch, <b>(WV-05)</b> Red Oak. See website for more wood type codes and photos. Samples available upon request.
<b>Fasteners:</b>	<input type="checkbox"/> Torx <input type="checkbox"/> Other:
<b>Mullions:</b>	Factory welded to vision lite & painted. See Mullions Page in this section to order.
<b>Round Vision Lite:</b>	<input type="checkbox"/> <b>VSLR-12:</b> One piece, 18 gauge construction. 11" glazing. (n/a (S) material) <input type="checkbox"/> <b>VSLR-18:</b> One piece, 18 gauge construction. 17" glazing. (n/a (S) material)
<b>Privacy Screen:</b>	Add the New Privacy Screen to This Vision Lite—See Web Page for Details
<b>Custom:</b>	Smaller or larger size or other options; Contact Customer Service for special orders.

**STOCK ITEM - MANY STANDARD SIZES OF VSL FRAMES IN STOCK FOR NEXT DAY SHIPMENT FROM ALL WAREHOUSES - LINK**

<b>Order Format:</b>	VSL, VSLR, VWL <input type="checkbox"/> Option S,G,EG <input type="checkbox"/> W <input type="checkbox"/> H <input type="checkbox"/> Color	<b>Example: VSL 1212GH</b>
----------------------	--	----------------------------

Interpretation of Fire and Building Codes May Vary. Consult with the Local Authority Having Jurisdiction (AHJ) to determine appropriate standards.

<p>© 2017 Activar Construction Products Group, Inc.                  800-554-6077 <a href="mailto:QUOTES@ACTIVARCPG.COM">QUOTES@ACTIVARCPG.COM</a> <a href="mailto:ORDERS@ACTIVARCPG.COM">ORDERS@ACTIVARCPG.COM</a> <a href="mailto:SALES@ACTIVARCPG.COM">SALES@ACTIVARCPG.COM</a> FAX: 952-835-2218                  VISIT <a href="http://WWW.ACTIVARCPG.COM">WWW.ACTIVARCPG.COM</a> FOR THE MOST UPDATED PRODUCT INFORMATION BEFORE ORDERING                  Mfg: COMMERCE CA, BLOOMINGTON, MN • WAREHOUSES: LANCASTER PA, ATLANTA GA, CHICAGO IL, SEATTLE WA, FORT MYERS FL, DALLAS TX, FARGO ND, OMAHA NE</p>	<b>Distributor:</b> Cook and Boardman	<b>Width:</b> 23" x <b>Height:</b> 29"
	<b>Architect:</b>	<b>Quantity:</b> 1
	<b>Contractor:</b>	<b>Model:</b> VSLC3
	<b>Project:</b> Chester City Hall	<b>Date:</b> 6/19/17 <b>Version:</b> ALPDS1612