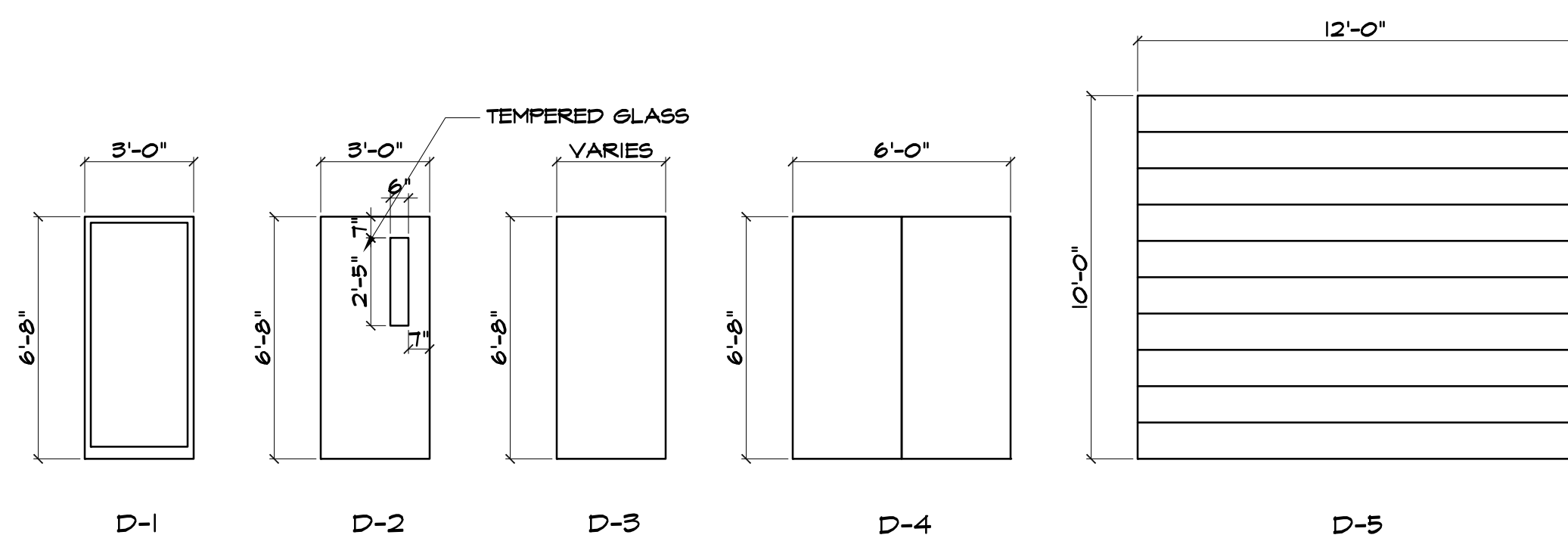


FINISH SCHEDULE						
ROOM	FLOOR	BASE	WALLS			REMARKS
100	MARKET	CARPET	CONCRETE VINYL	4" VINYL		
200	KITCHEN					
201	OFFICE					
202	WOMEN					
203	MEN					

(G) GYPSUM WALLBOARD (\*) ALL WALLS IN KITCHEN TO HAVE FRP BOARD  
 (M) MOISTURE RESISTANT GYPSUM WALLBOARD

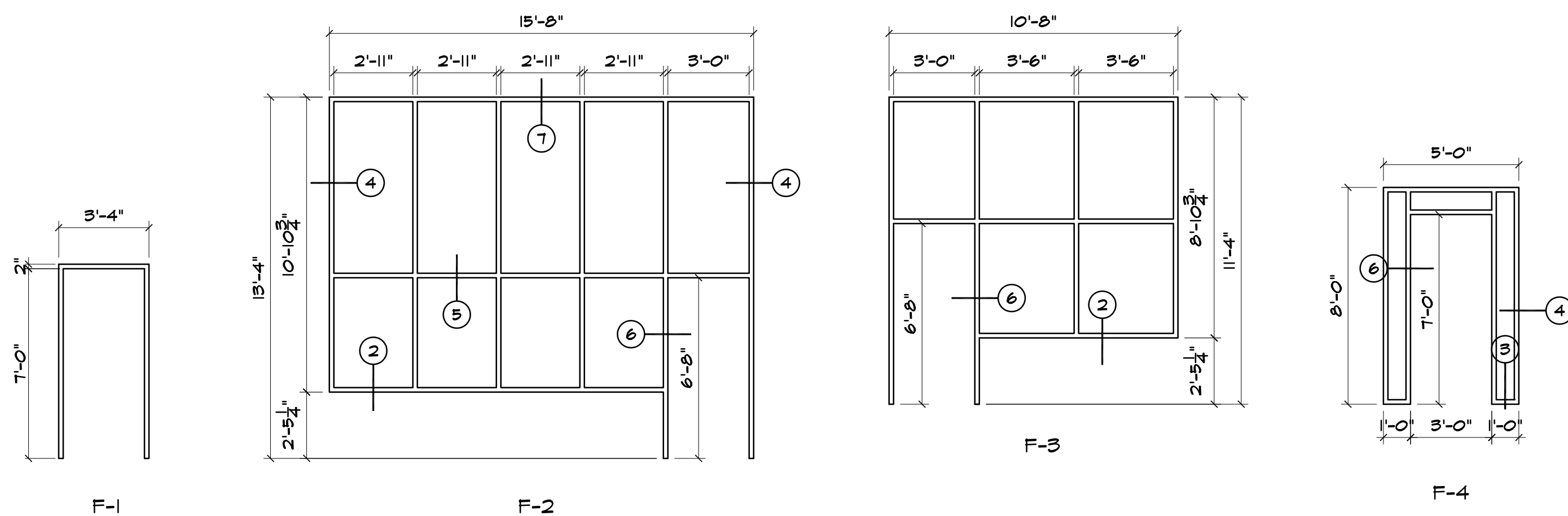
DOOR SCHEDULE						
NO.	SIZE	TYPE	MATERIAL	FRAME	LABEL	REMARKS
100A	3'0"X6'8"	D-1	ALUMINUM	F-3		EXTERIOR GRADE DOOR
100B	3'0"X6'8"	D-1	ALUMINUM	F-4		EXTERIOR GRADE DOOR
100C	12'X10'	D-5	METAL	METAL		EXTERIOR ROLL UP DOOR
100D	3'0"X6'8"	D-3	METAL	F-1		EXTERIOR GRADE DOOR
200A	3'0"X6'8"	D-1	ALUMINUM	F-2		EXTERIOR GRADE DOOR
200B	3'0"X6'8"	D-2	WOOD	METAL		
201A	2-3'X6'8"	D-4	WOOD	METAL		
201B	3'0"X6'8"	D-3	METAL	F-1		EXTERIOR GRADE DOOR
201C	12'X10'	D-5	METAL	METAL		EXTERIOR ROLL UP DOOR
202	3'0"X6'8"	D-3	WOOD	METAL		
203	3'0"X6'8"	D-3	WOOD	METAL		

NOTE: ALL DOOR HARDWARE TO BE LEVER TYPE PER ADA REQUIREMENTS.

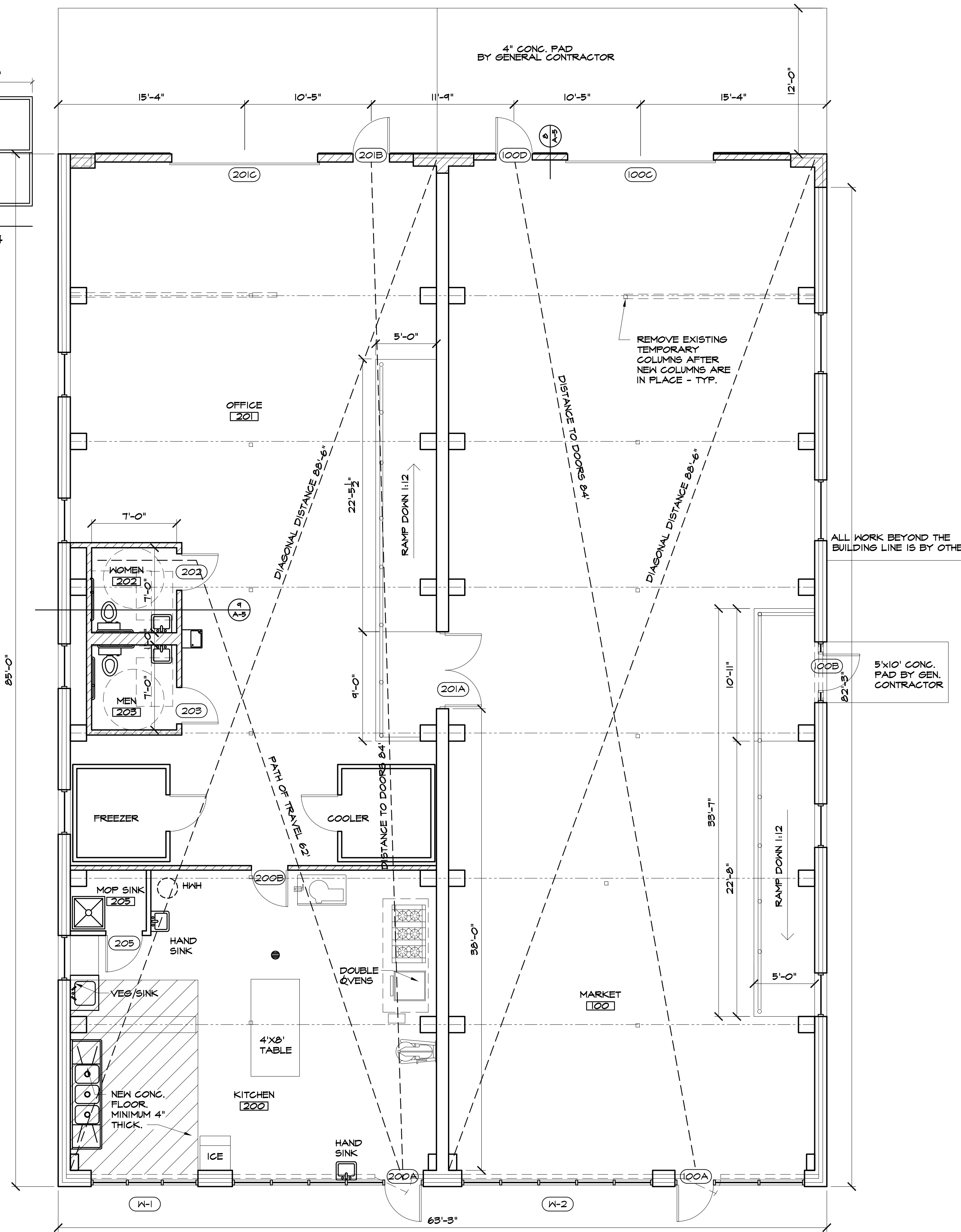
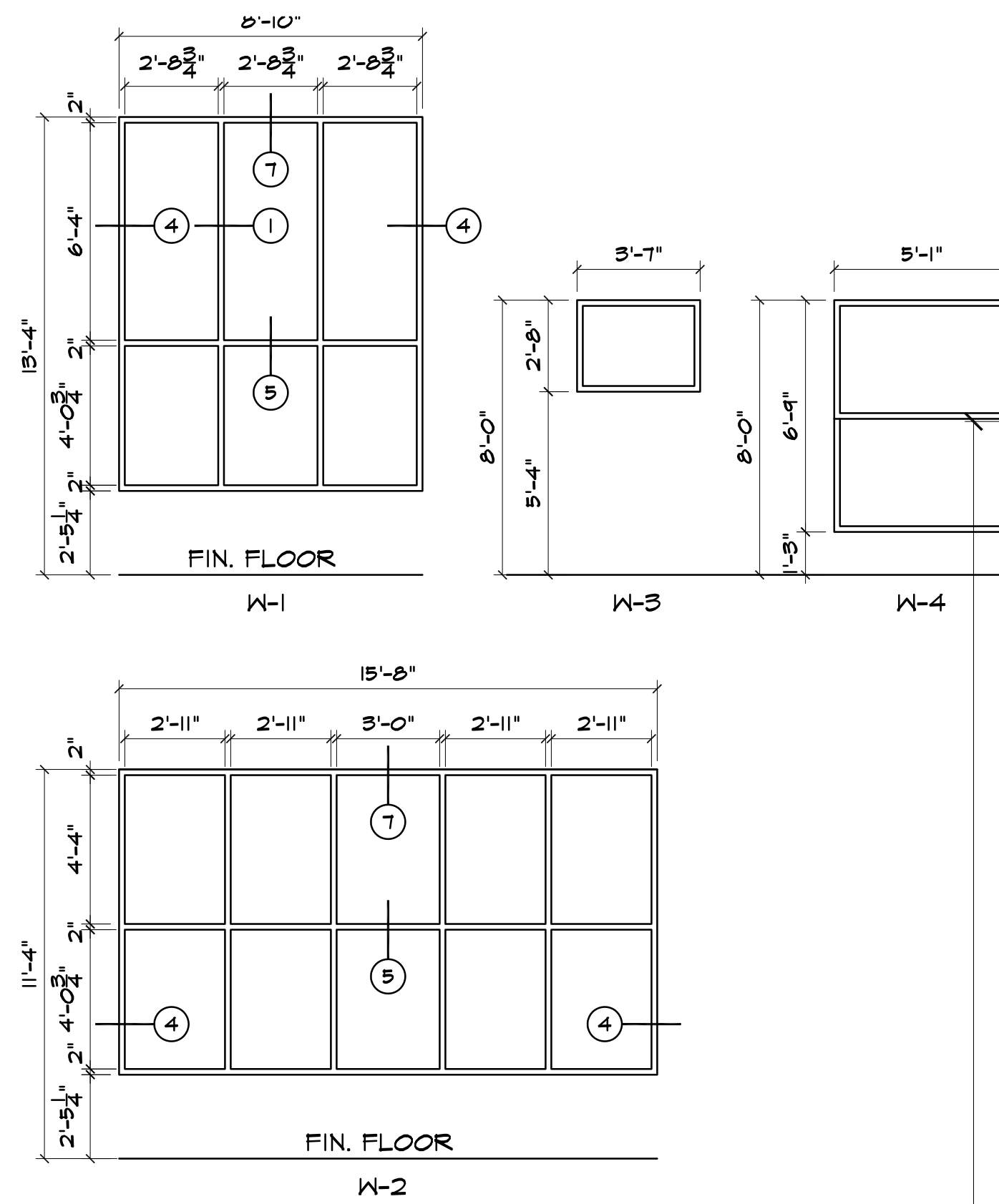


WINDOW TYPES  
 SCALE: 1/4" = 1'-0"

DOOR TYPES  
 SCALE: 1/4" = 1'-0"



FRAME TYPES  
 SCALE: 1/4" = 1'-0"



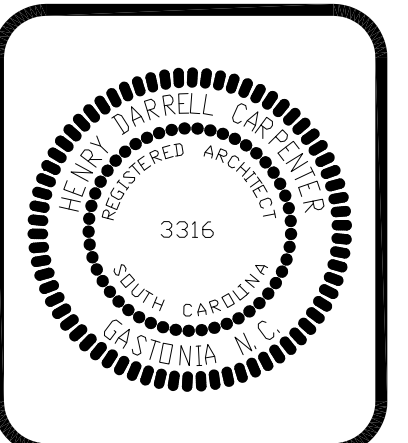
FLOOR PLAN  
 SCALE: 3/16" = 1'-0"

DATE UPDATE SEPTEMBER 12, 2012  
 COPYRIGHT (C) 2012, HENRY DARRELL CARPENTER, AIA

THIS DRAWING AND THE DESIGN SHOWN IS THE PROPERTY OF HENRY DARRELL CARPENTER, AIA AND SHALL NOT BE REPRODUCED WITHOUT WRITTEN CONSENT OF THE ARCHITECT. ANY INFRINGEMENT SHALL BE SUBJECT TO LEGAL ACTION.

Revisions	Date

Project: A RENOVATION FOR CHESTER FARMER'S MARKET  
 CHESTER, SOUTH CAROLINA  
 Sheet Title: FLOOR PLAN



H. DARRELL CARPENTER, AIA  
 ARCHITECT  
 209 WEST SECOND AVENUE  
 Gastonia, North Carolina 28052  
 704-864-4445

Drawn By	HDC
Checked By	HDC
Date	6 OCT 09
Scale	AS SHOWN
Project Number	0941
Sheet No.	

A-1